

### Other CruzPro Products

- Depthsounder, Fishfinder, Active Transducers
- Speed/Log/w Water Temperature Display
- DC Volts/Amps/Amp-Hour Monitors
- AC Volts/Amps/Frequency/kW Monitor
- LPG/Petrol Gas Detectors/Alarms
- Bilge Water Detector/Alarms & Pump Controllers
- Windlass Controller/Chain Counter
- Digital Fuel Gauge/Consumption Calculator
- Smart and Manual Alternator Regulators
- Marine Security System
- RPM/Engine Hours/Elapsed Time Gauge
- Digital Oil Pressure Gauge/Alarm
- Digital Water Temperature Gauge/Alarm
- Digital Amps Gauge
- 3 Bank Digital Volts Gauge/Alarm
- Digital Clock/Watch/Race Timers/Alarms
- 8 and 16 Amp Light Dimmers
- Battery Voltage Monitors/Alarms
- Solar Panel Charge Controllers
- 4 & 8 Channel NMEA Combiners/RS-232 Convertors
- Engine/Exhaust Temperature Monitor/Alarm

Full details at <http://www.cruzpro.com>  
Email to: [info@cruzpro.com](mailto:info@cruzpro.com)

## CruzPro® SBS-30



## Second Battery Switch

### Introduction

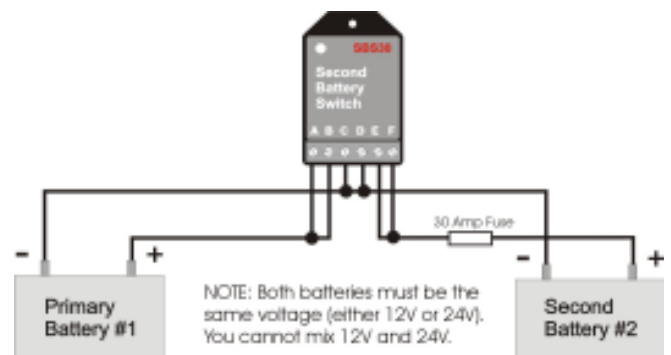
The SBS-30 Second Battery Switch is an electronic device that connects a second battery to your main battery whenever the voltage of the main battery is higher than the second battery and disconnects it when the voltage of the main battery is lower than the second battery. The SBS-30 can charge a second battery at up to 30 amps.

You can use the SBS-30 to automatically keep a windlass battery or independent instrument battery charged. If a solar panel is connected to your main battery the SBS-30 will connect the second battery during the day when the sun is shining and disconnect it at night.

©2014 CruzPro Ltd. SBS30MANA  
<http://www.cruzpro.com> Made in New Zealand

Both batteries must be either 12V or 24V. You cannot connect a 12V battery to a 24V battery.

The LED on the SBS-30 blinks slowly when the second battery is not connected and is fully lit when the two batteries are connected. An internal temperature sensor disconnects the two batteries if the electronic switch gets too hot and the LED will flash quickly.



## Introduction

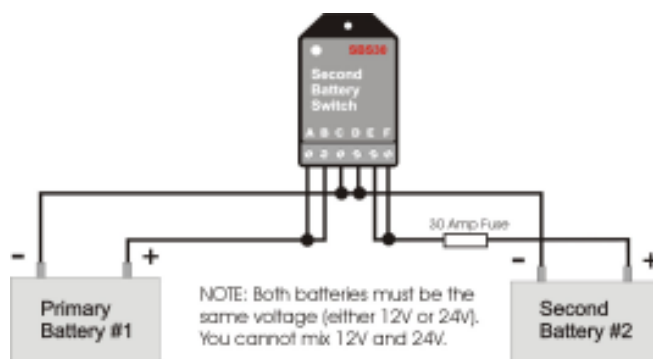
The SBS-30 Second Battery Switch is an electronic device that connects a second battery to your main battery whenever the voltage of the main battery is higher than the second battery and disconnects it when the voltage of the main battery is lower than the second battery. The SBS-30 can charge a second battery at up to 30 amps.

You can use the SBS-30 to automatically keep a windlass battery or independent instrument battery charged. If a solar panel is connected to your main battery the SBS-30 will connect the second battery during the day when the sun is shining and disconnect it at night.

©2014 CruzPro Ltd. SBS30MANA  
<http://www.cruzpro.com> Made in New Zealand

Both batteries must be either 12V or 24V. You cannot connect a 12V battery to a 24V battery.

The LED on the SBS-30 blinks slowly when the second battery is not connected and is fully lit when the two batteries are connected. An internal temperature sensor disconnects the two batteries if the electronic switch gets too hot and the LED will flash quickly.



## Other CruzPro Products

- Depthsounder, Fishfinder, Active Transducers
- Speed/Log/w Water Temperature Display
- DC Volts/Amps/Amp-Hour Monitors
- AC Volts/Amps/Frequency/kW Monitor
- LPG/Petrol Gas Detectors/Alarms
- Bilge Water Detector/Alarms & Pump Controllers
- Windlass Controller/Chain Counter
- Digital Fuel Gauge/Consumption Calculator
- Smart and Manual Alternator Regulators
- Marine Security System
- RPM/Engine Hours/Elapsed Time Gauge
- Digital Oil Pressure Gauge/Alarm
- Digital Water Temperature Gauge/Alarm
- Digital Amps Gauge
- 3 Bank Digital Volts Gauge/Alarm
- Digital Clock/Watch/Race Timers/Alarms
- 8 and 16 Amp Light Dimmers
- Battery Voltage Monitors/Alarms
- Solar Panel Charge Controllers
- 4 & 8 Channel NMEA Combiners/RS-232 Convertors
- Engine/Exhaust Temperature Monitor/Alarm

Full details at <http://www.cruzpro.com>  
Email to: [info@cruzpro.com](mailto:info@cruzpro.com)

## CruzPro® SBS-30



## Second Battery Switch